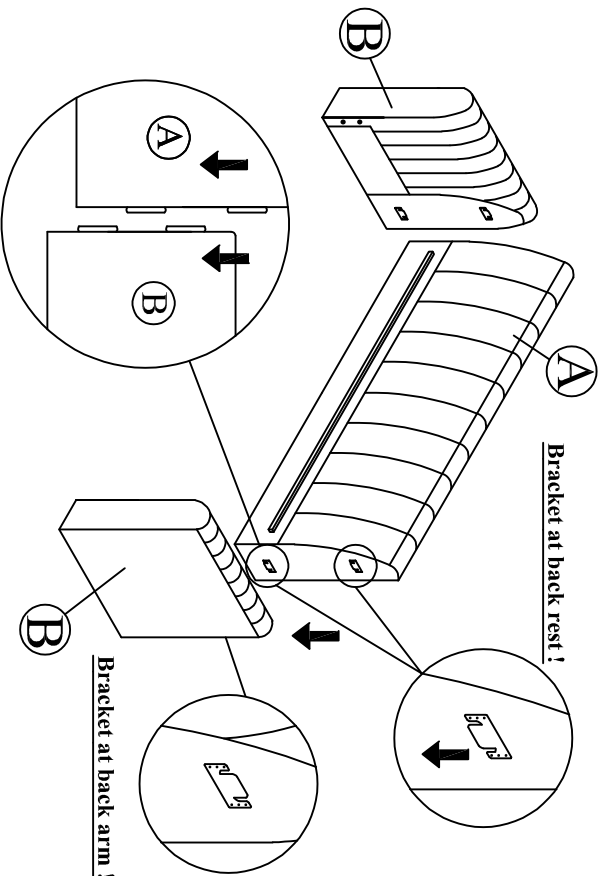


ASSEMBLY INSTRUCTION

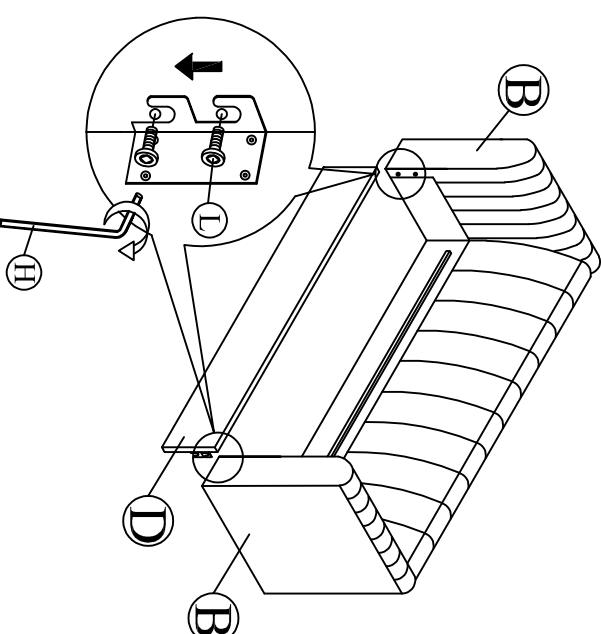
MODEL : CF 5017
2 SEATER

A	Back Rest	1 pc
B	Arm	2 pcs
C	Sitter	2 pcs
D	Side Rail	1 pc
E	Legs 133 x 135 x 135mm	4 pcs
F	Slat 498mm	8 pcs
G	End Holder	16 pcs
H	M5 x 70 mm	1 pc
I	M4 x 65 mm	1 pc
J	JCBC M6 X 30	8 pcs
K	Flat Washers	8 pcs
L	JCBB M8 X 20	4 pcs

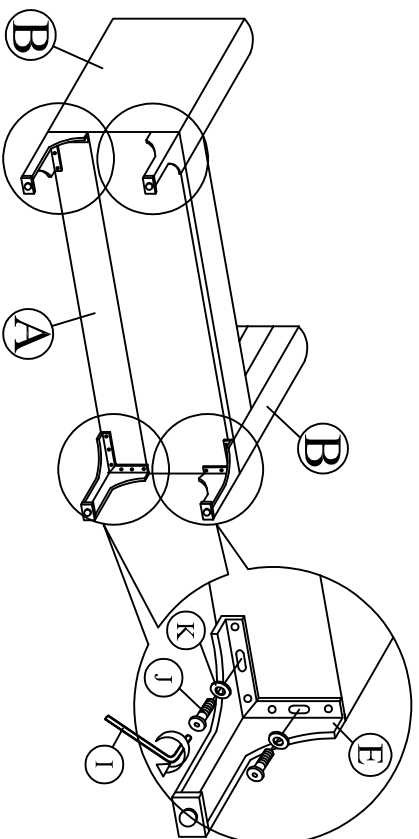
Step 1 : Attach the arm (B) to the back rest (A) by pushing the bracket down to fit it.



Step 2 : Attach the side rail (D) to the arm (B).



Step 3 : Install the legs (E) to back rest (A) and arm (B).



Step 4 : Assembly of the slat holders with L VL slats as shown. Attach the sitter (C) to the arm (B), side rail (D) and back rest (A).

